

INTRODUCTION

Lightweight, compact and sturdy, this is ideal for 35 mm SRL cameras, especially when the move outdoor.

KEY FEATURES

- Reversible centre column
- 3 section telescopic aluminium legs
- Hole for carrying strap (optional)

SET UP (FIG. 1)

Open the 3 tripod legs.

To adjust the height of the tripod: each leg has 2 telescopic extensions which can be released by unscrewing knob "A" on the locking collar "B"

USE**CENTRE COLUMN HEIGHT ADJUSTMENT (fig. 2)**

To release the central column "D", unlock knob "E" and adjust the height of the column as required. Tighten knob "E" to lock in position.

INVERTING THE CENTRAL COLUMN (fig. 3)

The centre column can be inverted.

Remove the rubber cap "F", unlock knob "E" and remove the column pulling it upward out of the shoulder of the tripod. Invert the column and insert it into the shoulder from below. Tighten knob "E" and replace the rubber cap "F".

MOUNTING AND REMOVING A CAMERA HEAD (fig. 4)

Remove the cap "Z" (fig. 1)

Mount the camera head on the plate at the top of the sliding column via the 1/4" fixing screw. Then raise the centre column 20cm plus and with a small screwdriver, tighten the three set screws "M" up against the base of the head, taking care not to force them. This unique feature works especially well with Manfrotto heads due to the specially designed base, which prevents the head unscrewing accidentally. To remove the head, release the set screws "M" and unscrew from the column.

CARRY-STRAP HOLES (fig. 1)

The tripod has M10 threaded hole "N" for attaching Manfrotto carry-straps (optional extra).

ISTRUZIONI

INSTRUCTIONS

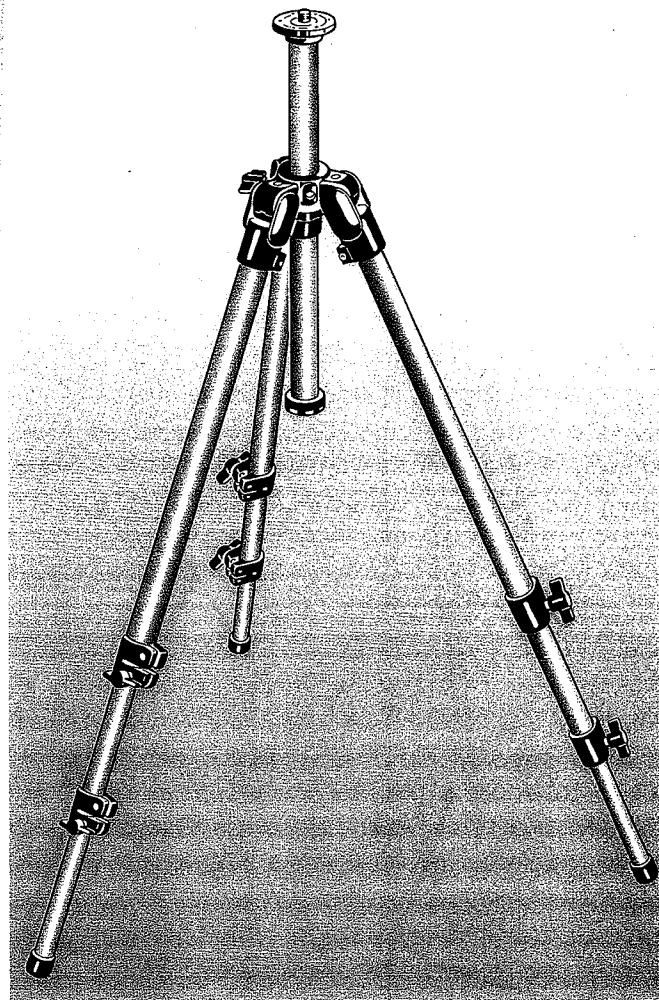
MODE D'EMPLOI

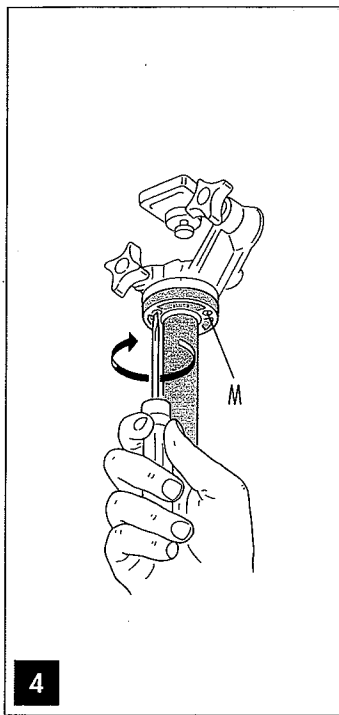
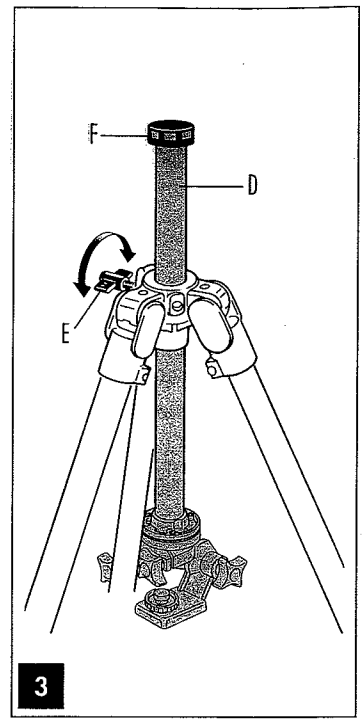
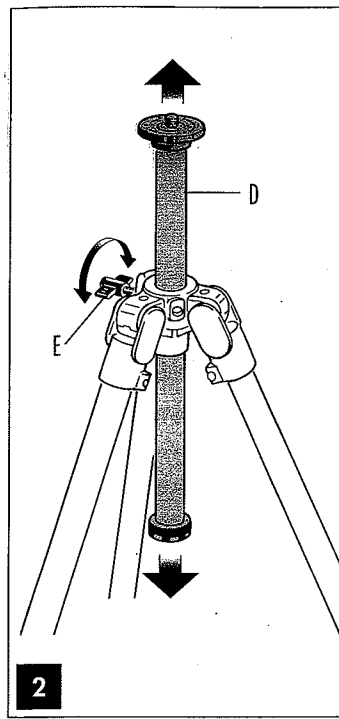
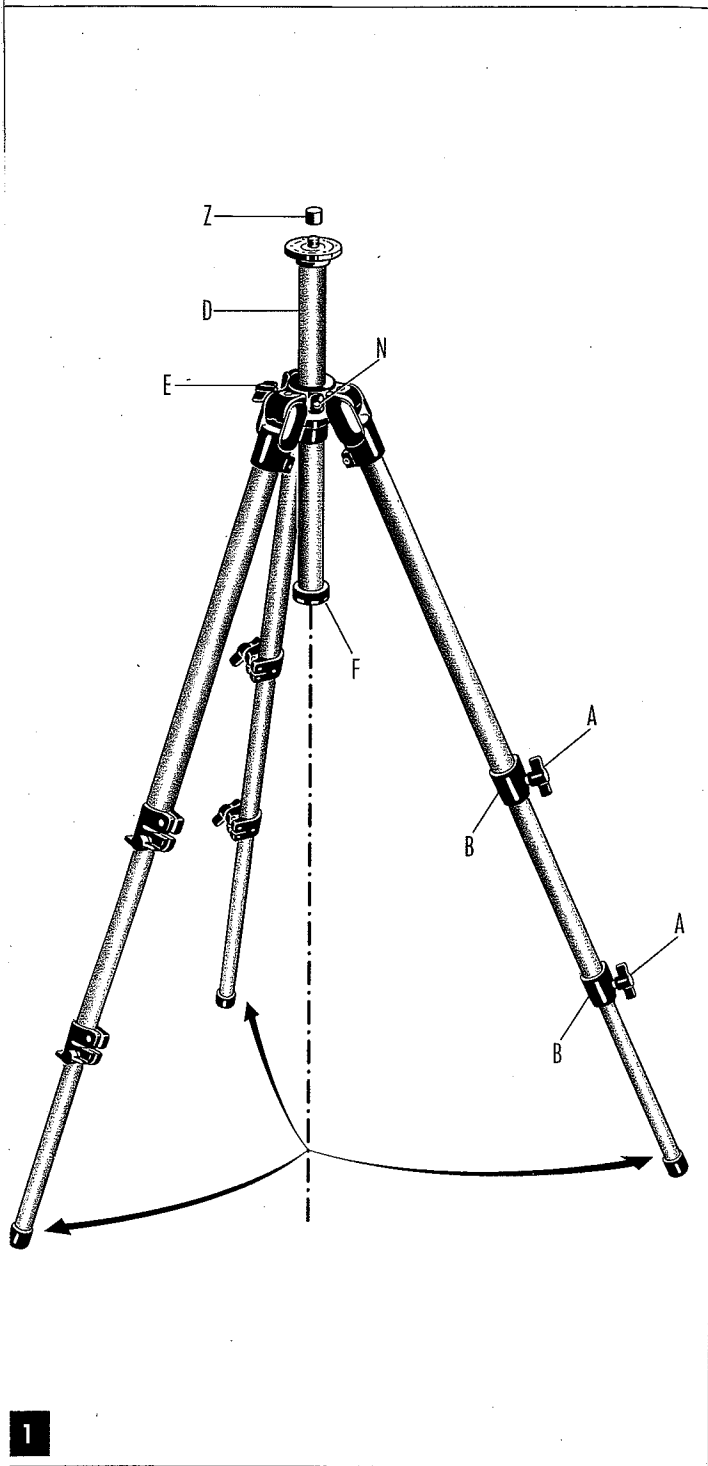
GEBRAUCHSANWEISUNG

INSTRUCCIONES

操作案内

GRUPPO

**Manfrotto****144****USA 3011-3211****BASIC TRIPOD**170 cm
67 inch2,4 kg
5,3 lbs6 kg
13,2 lbs



INTRODUCTION

Photographic 3D head ideal for cameras up to medium format.

KEY FEATURES

- Large camera mounting platform
- Large easy grip ratchet handles
- Versatility of movements

SET UP**ASSEMBLING HEAD ON TRIPOD (fig. 1)**

Assemble the head on the tripod using 3/8" female thread "E".

The top plate on Manfrotto tripods are equipped with three set screws "F" which clamp against the base of the head to ensure effective and secure locking.

ASSEMBLING CAMERA ON HEAD (fig. 2, 3 and 4)

The lever on the ratchet knobs "B" and "C" can be repositioned as required without effecting the lock itself. Simply pull the lever outward, rotate as desired and release the lever and it will automatically locate in the adjusted position.

Fix the camera onto base "G" (fig. 2) by screwing home the camera screw "M" into the camera's threaded hole **WITHOUT APPLYING EXCESSIVE FORCE** (remember to unscrew locking ring "Q" completely first).

The screw "M" slides long the slit "H" (fig.1).

Before fully locking, align the camera lens with the base "G" (fig.3) and choose the best balance position.

- ⚠ For added security, ensure locking ring "Q" is tightened against base "G".
Locking ring "Q" (fig. 4) is equipped with slot "S" to facilitate tightening (with a screwdriver for instance).

REMOVE THE CAMERA FROM THE HEAD (fig. 5)

- ⚠ Whenever the camera needs to be removed from the head, **HOLD THE CAMERA SECURELY IN ONE HAND** whilst releasing the screw "M", Having first loosened the ring "Q".

USE (FIG. 1)

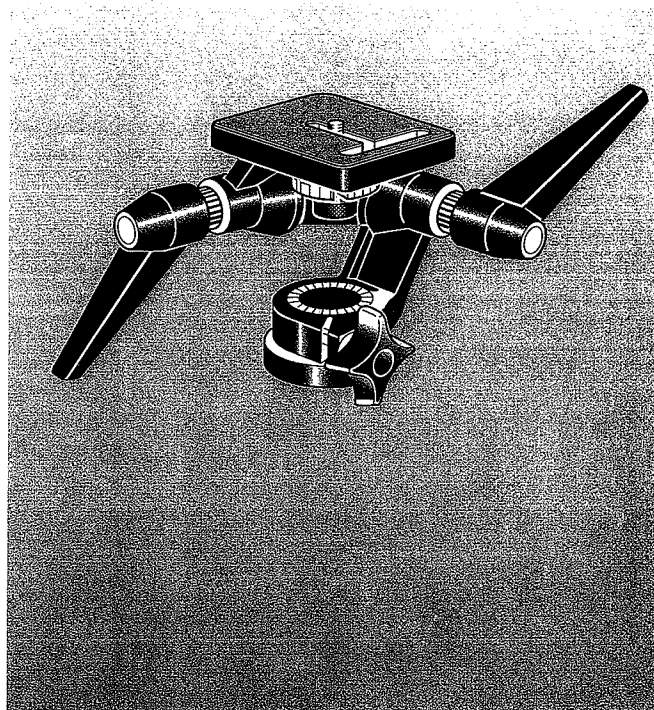
The knob "A" and the two control handles "B" and "C" control the pan, lateral levelling and vertical tilting movements respectively.

Knob "A" releases and locks the 360° panning movement

Handle "B" release and locks the lateral levelling movement between +180° and -30°

Handle "C" release and locks the vertical tilting movement between +180° and -30°

- ⚠ When releasing the control knob/handles to allow the head to be moved to the position required **ALWAYS HOLD THE CAMERA WITH ONE HAND** using the other hand to make the adjustments. When adjusted lock in position by tightening the knob/handles.

ISTRUZIONI**INSTRUCTIONS****MODE D'EMPLOI****GEBRAUCHSANWEISUNG****INSTRUCCIONES****115****USA 3028****3D SUPERIOR JUNIOR HEAD**

10 cm
4 inch



0,6 kg
1,32 lbs



3 kg
6,6 lbs

